
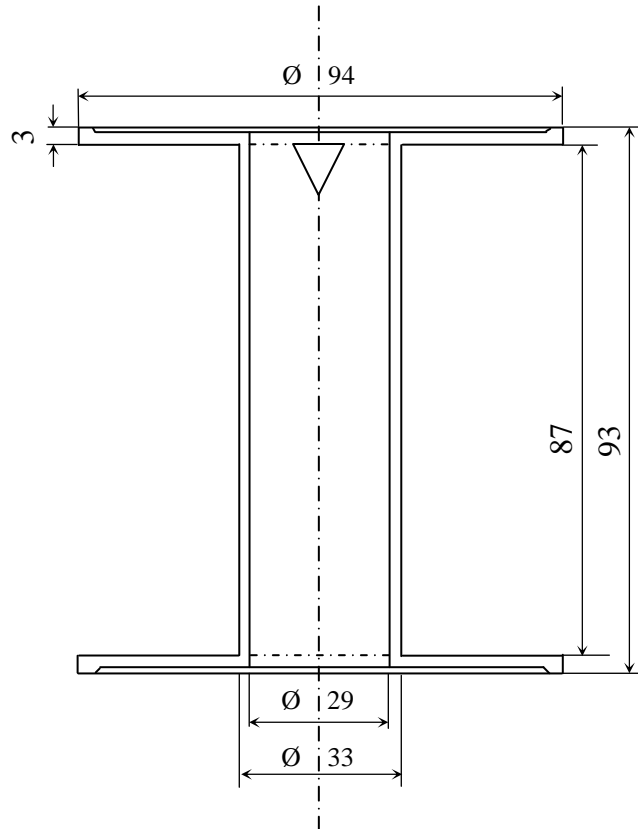
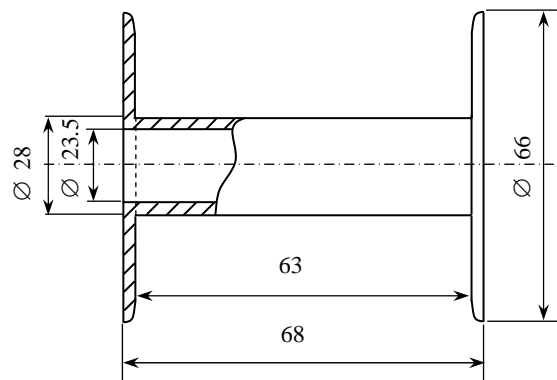



Updated : 14/11/05	TECHNICAL DATA SHEET	
Ref. : Reels	<u>PHYSICAL CHARACTERISTIC</u> <u>OF SPOOLS</u>	
Created Date: 14/09/04		

1 - STANDARD SPOOL 3Kg :

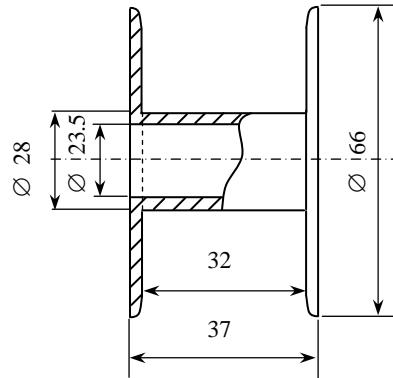


2 - STANDARD SPOOL 1Kg :

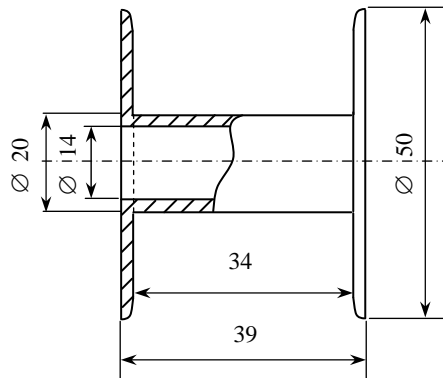


Updated : 14/11/05	TECHNICAL DATA SHEET	
Ref. : Reels	<u>PHYSICAL CHARACTERISTIC</u> <u>OF SPOOLS</u>	
Created Date: 14/09/04		

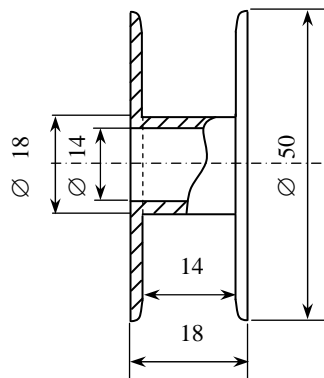
3 - STANDARD SPOOL 500g :




4 - STANDARD SPOOL 250g :

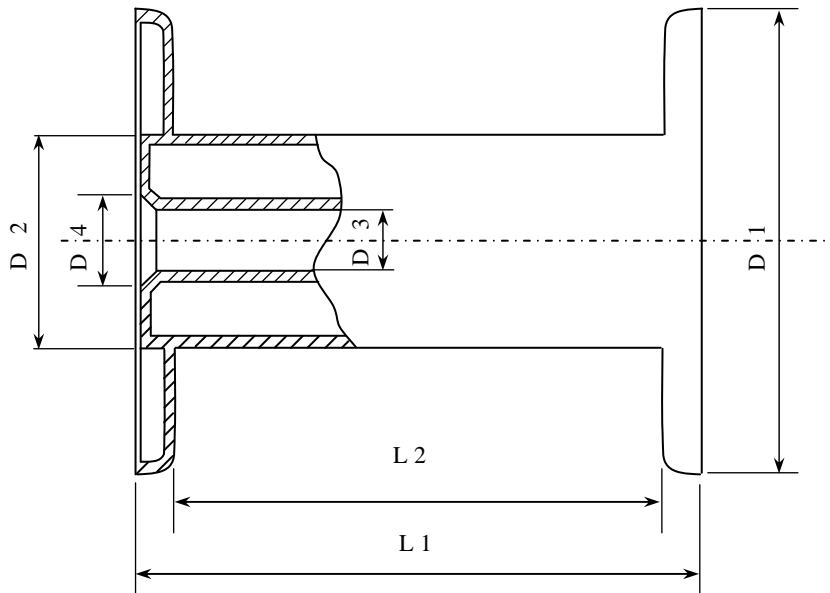


5 - STANDARD SPOOL 100g :



Updated : 14/11/05	TECHNICAL DATA SHEET	
Ref. : Reels	<u>PHYSICAL CHARACTERISTIC</u> <u>OF SPOOLS</u>	
Created Date: 14/09/04		

5 - DIN SPOOL:



SPOOL.	TYPE	D1 mm	D2 mm	D3 mm	D4 mm	L1 mm	L2 mm	Weight
250 g	50	50	28	11	15	50	38	25
500 g	64	64	35	11	17	63	48	40
1 Kg	80	80	50	10	24	80	64	70
2 Kg	100	100	65	16	24	100	80	125
5 Kg	125	125	80	16	24	125	100	200
20 Kg	300	300	170	60	60	93	85	700